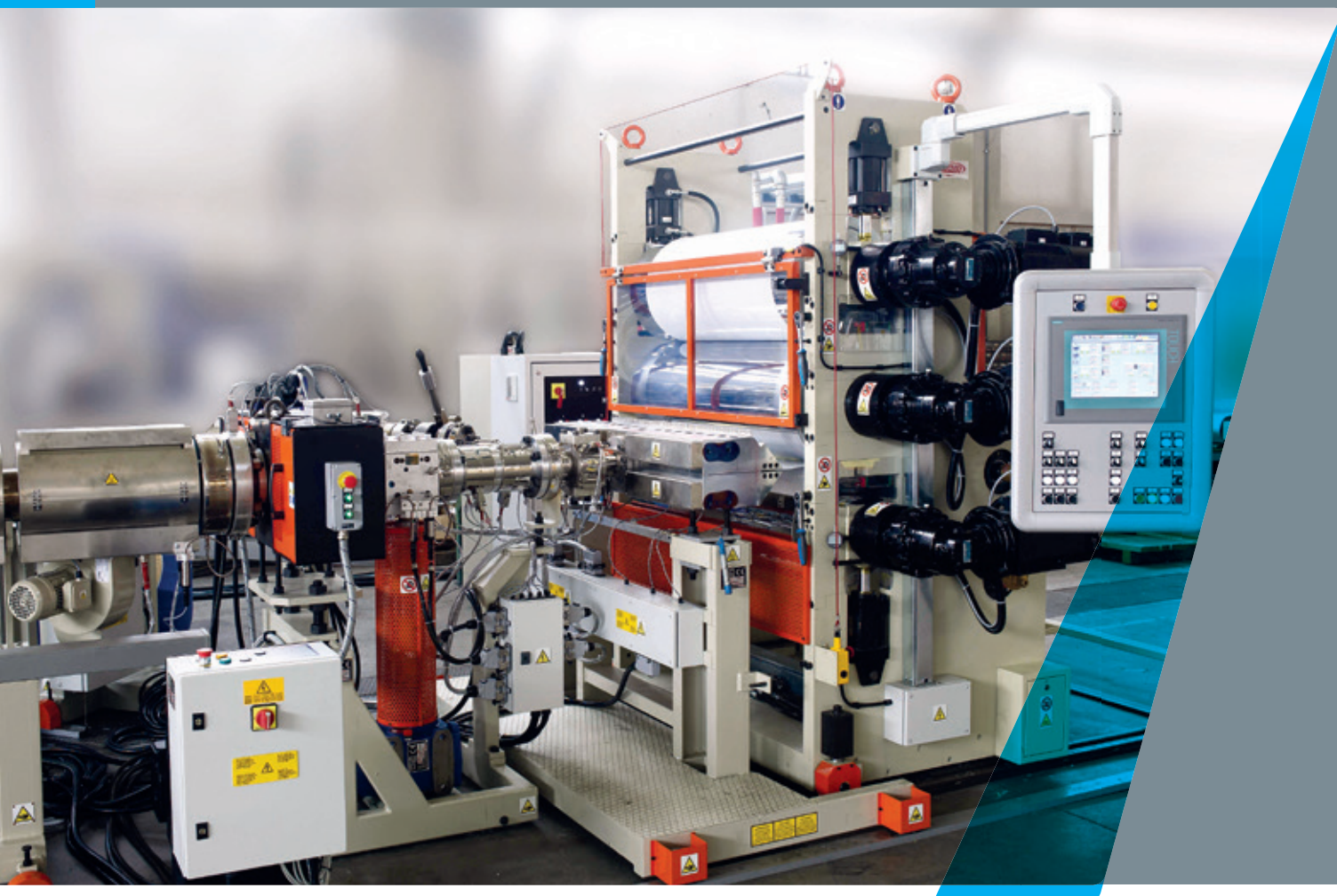
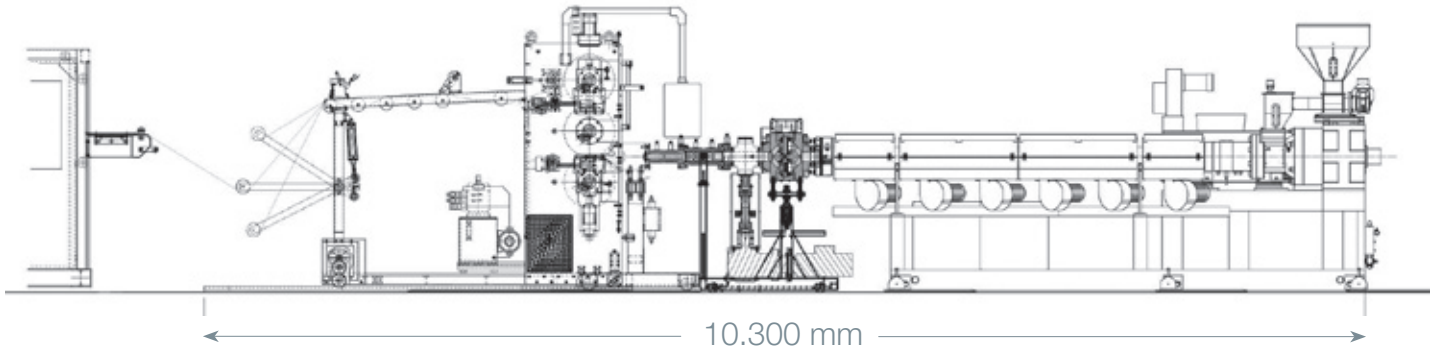


Compact Series for in-line thermoforming





Main Features

- Configuration:** monolayer or multilayer sheet (up to 7 layers)
Nominal width: up to 1200 mm
Thickness: up to 2 mm
Materials: PET, PP, PS (up to 50% of recycled scraps from thermoformed skeleton).

Suitable to fit AMUT-COMI or main Commercial Brand Thermoforming machines.

Compact execution with Roll-Stack in a package solution including haul-off and thermoregulation unit "on board" mounted.


Easy operation and low maintenance cost.

		AKV-ITF80	AKV-ITF100	AKV-ITF120
Foil width (up to)	mm	700	900	1000
Cooling capacity	kg/h	500-700	700-1000	800-1200
Extruder	model	EA75/40D	EA100/40D	EA130/40D
Roll Ø	mm	450	500	600
Length	mm	8200	10300	11800

AMUT-COMI Spa

Corso Novara, 234
27029 Vigevano (PV) - Italy

Phone +39 0381 20016
 Fax +39 0381 318000
 E-mail info@amutcomi.it

Follow us on 



AMUT COMI is part of AMUT GROUP